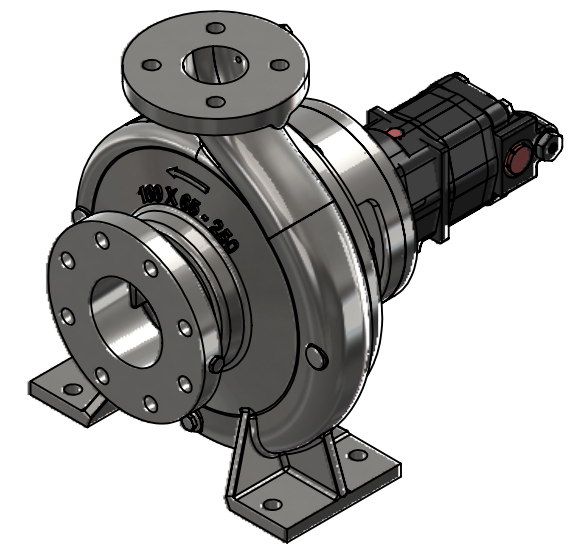
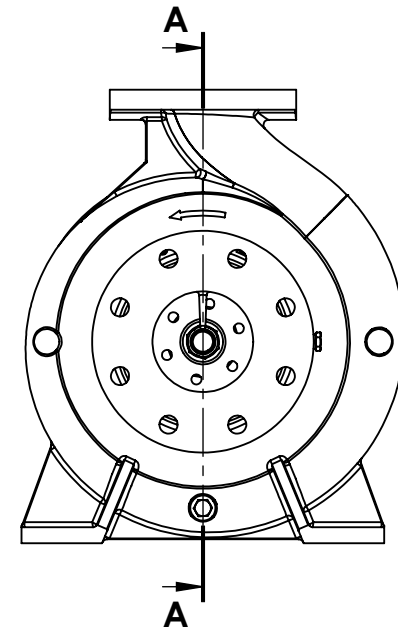
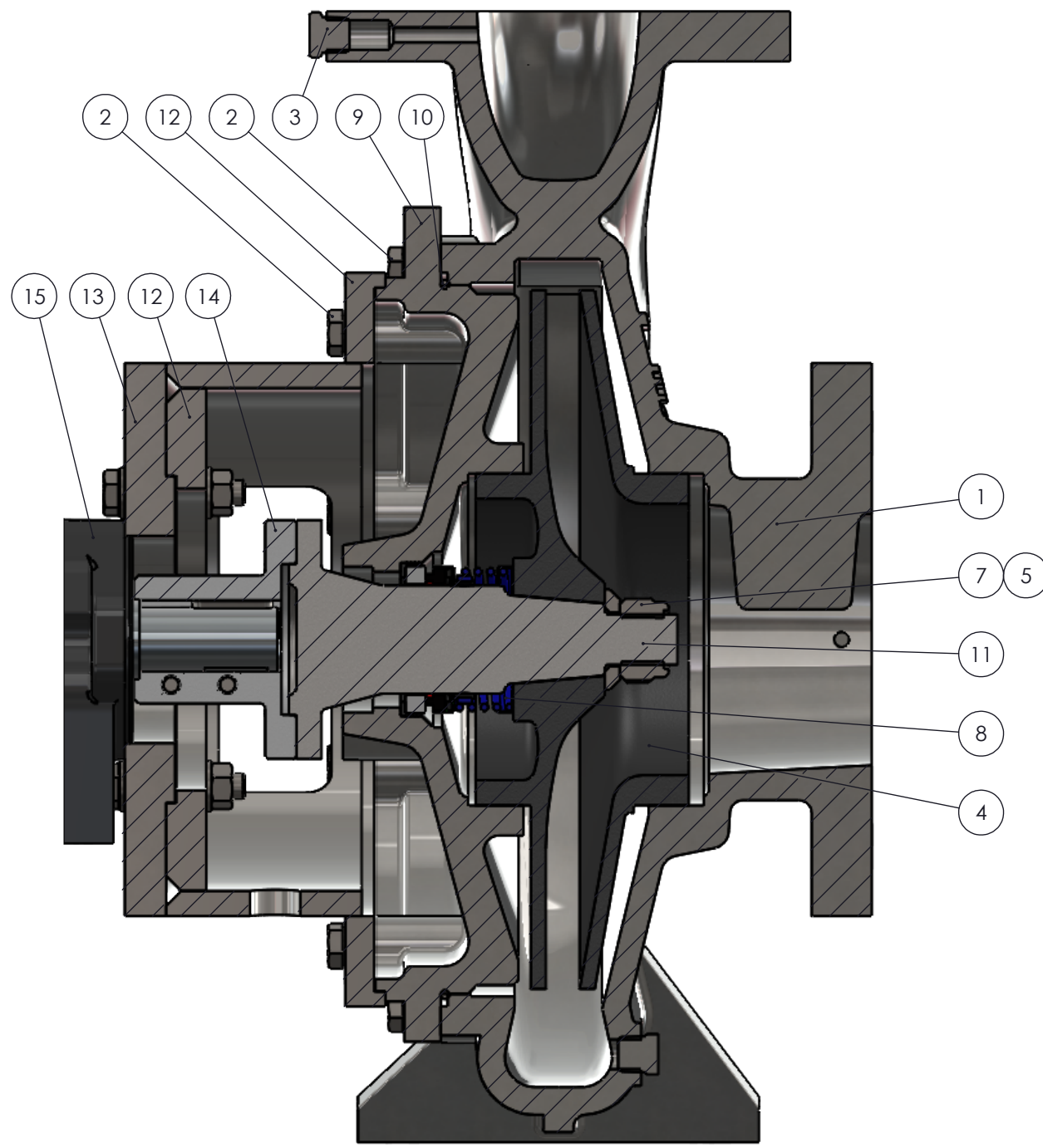

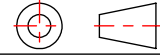


ITEM NO.	QTY.	PART NUMBER	DESCRIPTION
1	1	4700071701-2E	VOLUTE 100x65-250 CAST IRON
2	17	B111_10X30MZPSS	SCREWS-SETSCREW M10 x 25 8.8 ZINC PLATED
3	3	B098_14ZPTGP	PLUGS 1/4 TAPER GAS ZINC PLATED
4	1	47001317--2	ISO 2858 100/65-250 SERIES IMPELLER
5	1	0000501706	IMPELLER WASHER MODULE 2 ISO 2858 SERIES 316 SS
6	1	B150_14X1G316WK	WOODRUFF KEY 1/4"X1" 316SS
7	1	B082_20MG316NN	NUT M20 NYLOCK 316SS
8	1	B114_004ESSV-043	SEAL MECH 43MM SIL/SIL/VIT-45.4 AFTER COMPRESS
9	1	47003917012	BACKPLATE 100x65-250 STD M/SEAL_CAST IRON
10	1	B087_BS276	O RING 11X11-1/4X1/8 DURO 70
11	1	0020191706--95	SHAFT CC SERIES MODULE 2 X 115
12	1	B050_0020017012-FAB	90 FRAME MOTOR ADAPTOR
13	1	-	ADAPTOR PLATE
14	1	-	MUFF COUPLING SUIT Ø25mm SHAFT
15	1	-	MOTOR - HYDRAULIC GM 215 SERIES
16	4	-	M10 x 50 BOLT c/w 2x WASHER & NUT
17	2	-	M12 x 35 BOLT c/w 1 x PLAIN & SPRING WASHER



**SECTION A-A**  
SCALE 1 : 2.5

REV	DESCRIPTION	DATE	APPROVED
A	INITIAL RELEASE		
	REVISION		

 <b>STALKER PUMPS</b> <small>A DIVISION OF MALCOLM THOMPSON PUMPS</small> <a href="http://www.stalkerpumps.com.au">www.stalkerpumps.com.au</a>	<small>THIS DATA REMAINS THE PROPERTY OF STALKER ENGINEERING. NO DATA MAY BE REPRODUCED WITHOUT PRIOR CONSENT OF COMPANY. DATA MAY BE ALTERED WITHOUT NOTIFICATION.</small>	<b>GENERAL TOLERANCES</b> METRIC ±0.4 INCH ±0.015" FABR ±2.0		DRAWN: DATE: 14/12/2020	TITLE:  	
		<b>"IF IN DOUBT ASK"</b> 	MASS(kg): [APPROX] 60.52	SHEET NUMBER: 1 OF 2	SCALE: -:-	REVISION:  